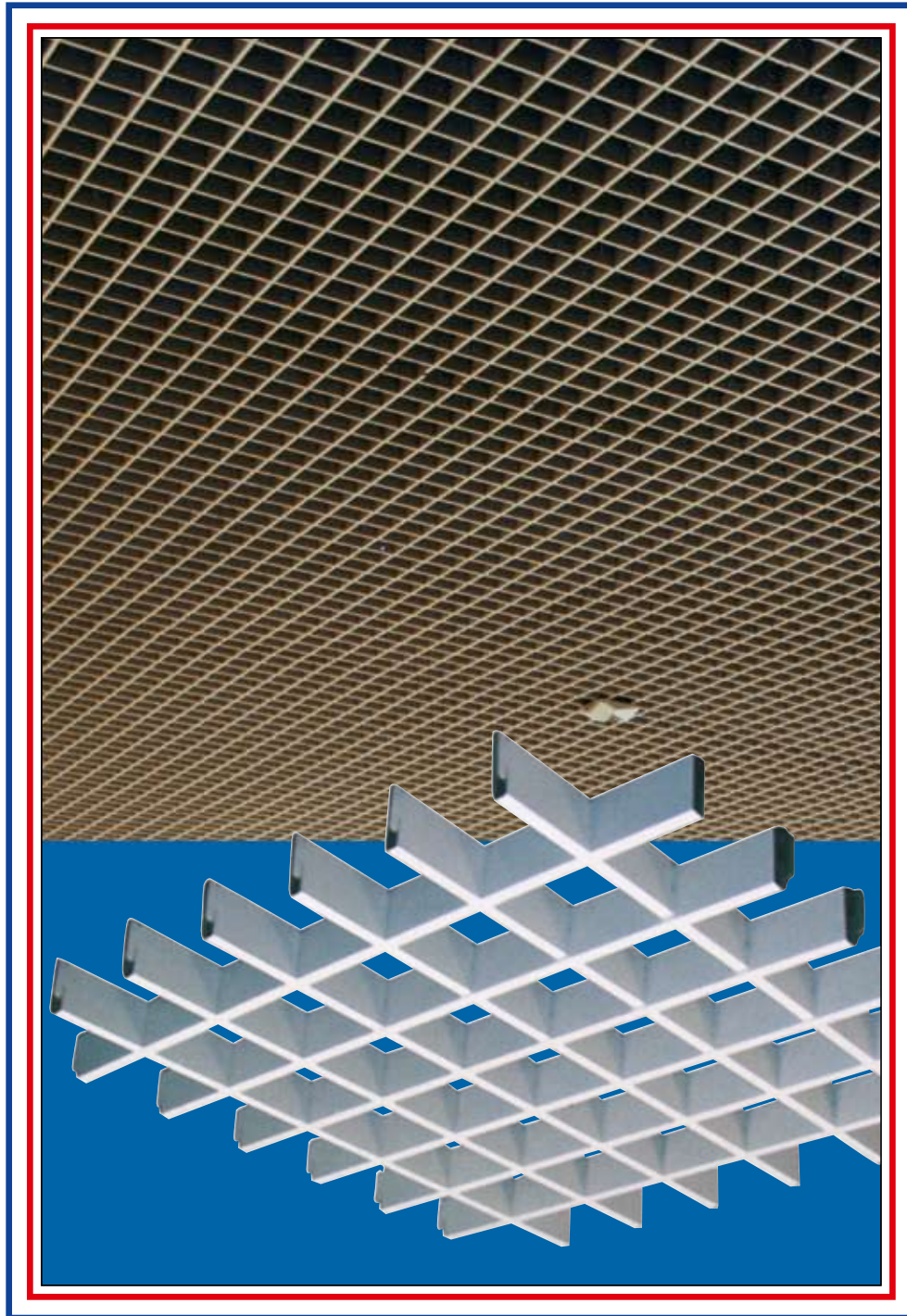


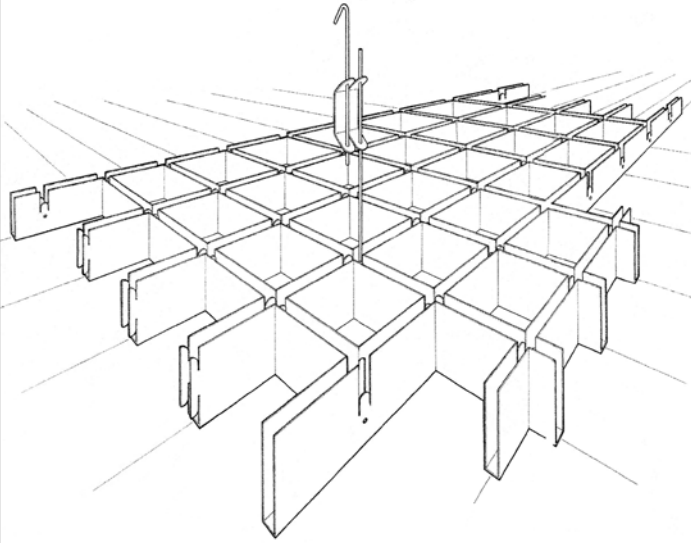
SUSPENDED FALSE CEILINGS

ALUMINIUM CORROSION PROOF OPEN CELL CEILINGS SYSTEMS



coki-u
"TRADIZIONALE"

ALUMINIUM OPEN CELL
CEILINGS



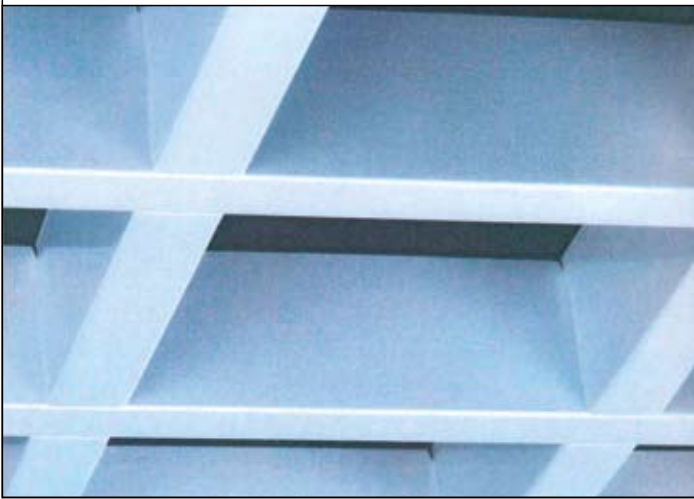
coki-u
"TRADIZIONALE"

ALUMINIUM OPEN CELL
CEILINGS



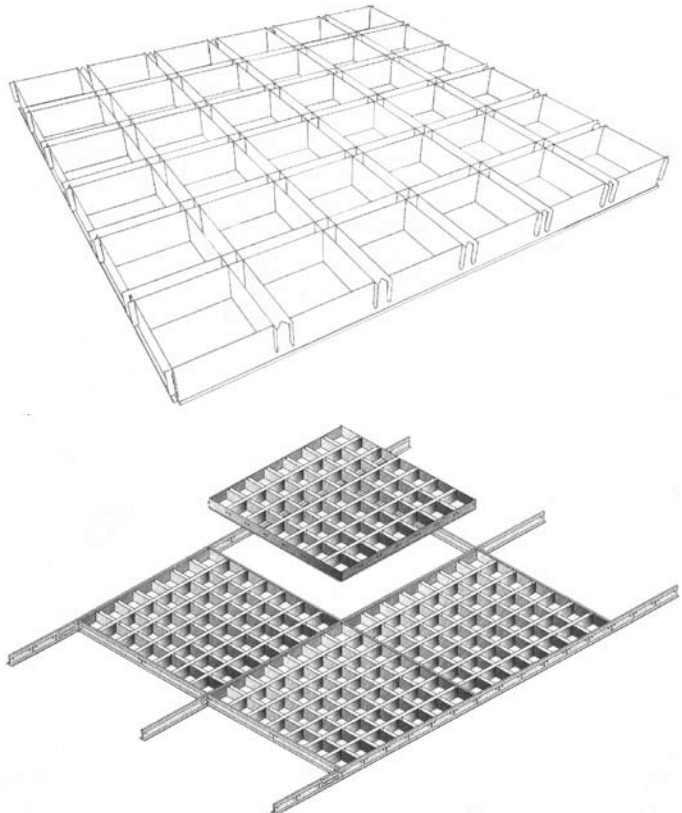
coki-b15

ALUMINIUM OPEN CELL
CEILINGS BASE mm. 15



coki-b15

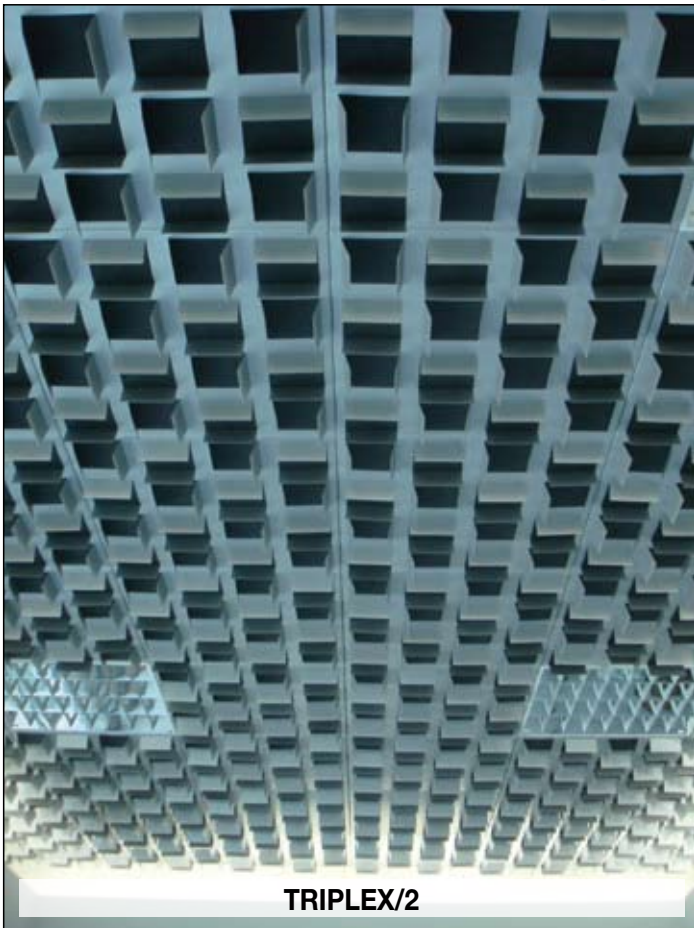
ALUMINIUM OPEN CELL CEILINGS SECTION BLADE "U"
BASE mm. 15 LAY IN WITHOUT DIFFERENCES - TOTAL
FULL INSPECTION



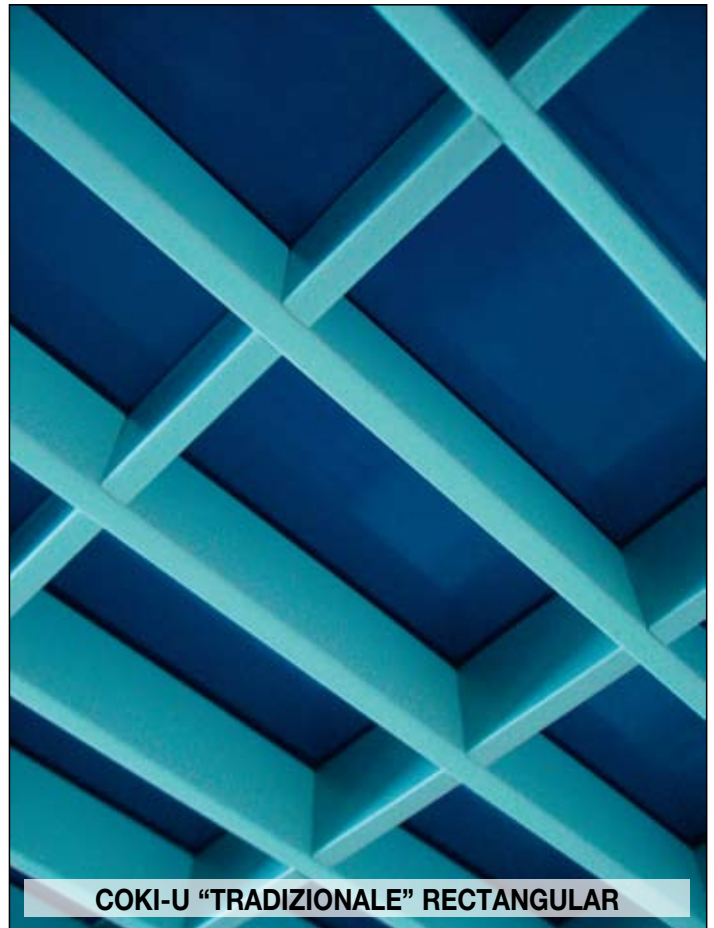
coki-u

ALUMINIUM OPEN CELL
CEILINGS BASE mm. 10





TRIPLEX/2



COKI-U "TRADIZIONALE" RECTANGULAR



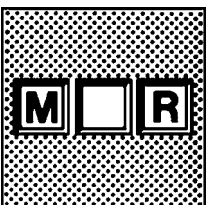
"COKI-B15"



COKI-U "TRADIZIONALE"

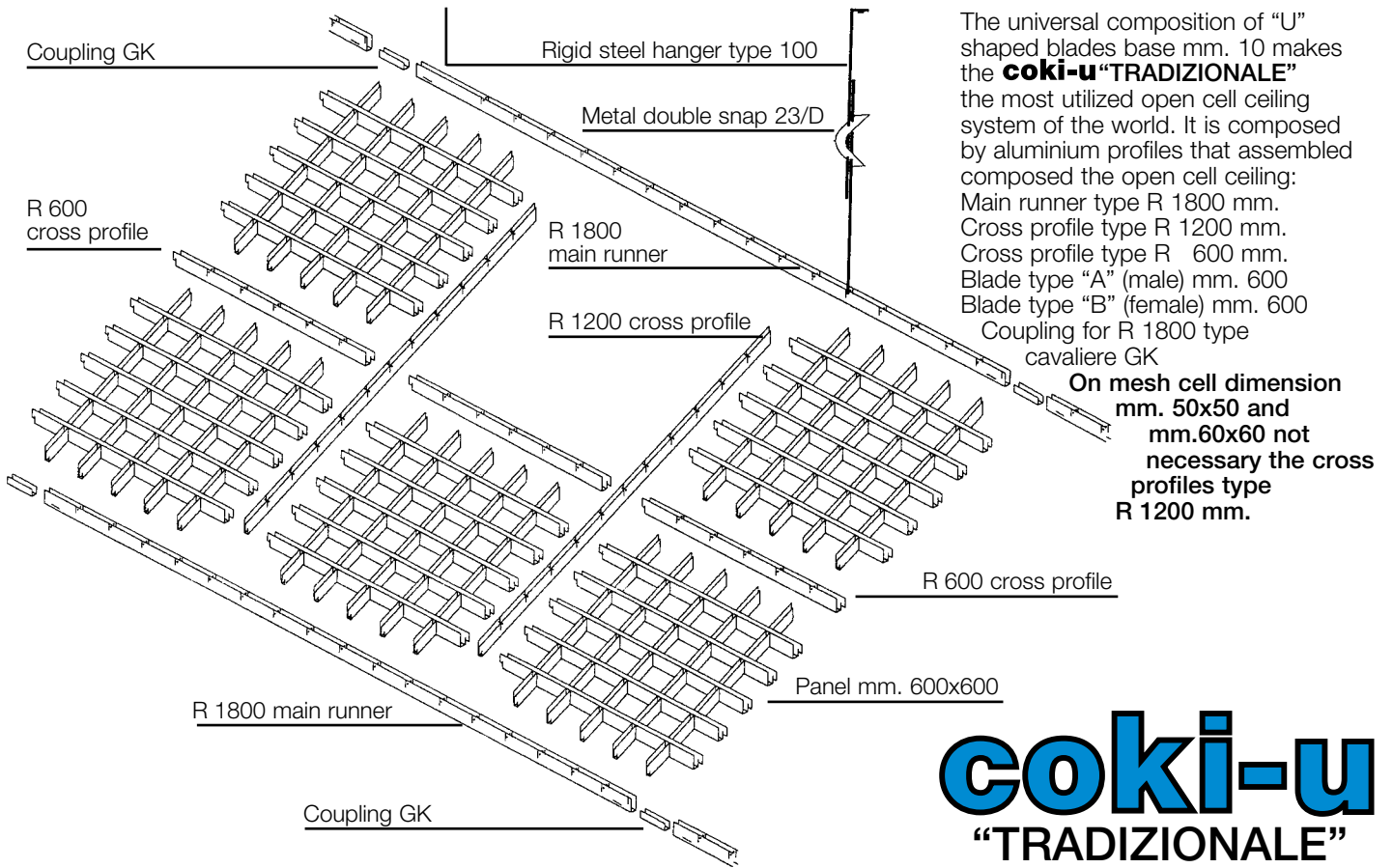


COKI-U "APPOGGIO"

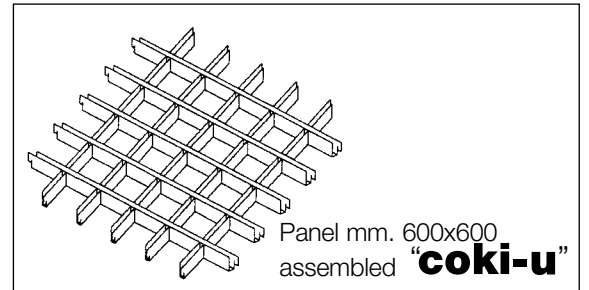
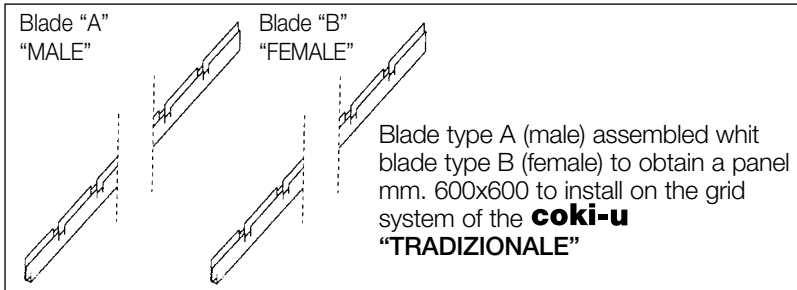


METALSCREEN FACTORY is the leading Italian manufacturer of various models of aluminium open cell suspended ceilings systems. kindly contact us for all your requirement and will answer to you, our best competitive prices.

INSTALLATION GUIDELINES **coki-u** "TRADIZIONALE"



coki-u "TRADIZIONALE"

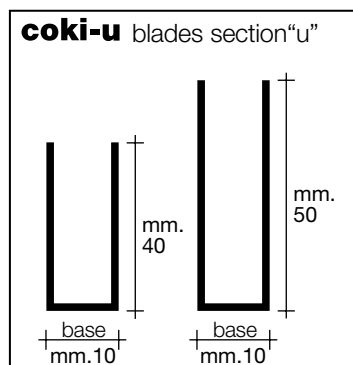


TECHNICAL SPECIFICATION **coki-u** "TRADIZIONALE"

- Open cell ceilings concealed system type **METALSCREEN coki-u "TRADIZIONALE"** pre-painted aluminium corrosionproof incombustible class "0" - Euroclass fire reaction A1. (colour and mesh cells dimension chosen by the consultant).
- The open cell ceilings system is composed by U shaped profiles base width mm. 10 and height mm. 40 or mm. 50 (the height chosen by the consultant).
- Combine all the required components made of aluminium of the same colour it will obtain a regular open cell ceilings without any joints or visual interruption.
- To obtain better soundproofing, the "U" shaped blades can be microperforated diameter \varnothing mm. 2 with acoustic "TNT" non woven thermal applied on the back.

MESH DIMENSION **coki-u** "TRADIZIONALE"

MESH CELL SIZE mm.	
50x50	
60x60	
75x75	
86x86	
100x100	50x100
120x120	60x120
150x150	75x150
200x200	100x200



coki-b15 ALUMINIUM OPEN CELL CEILING SECTION BLADE "U" BASE MM. 15

METALSCREEN produces a wide range of aluminium grids for false ceilings, with various sizes of cell, section shapes and type of finish. Offers designers and users a host of possibilities of use in line with the criteria of integrated architecture. The false ceilings system is principally used for shielding technological plants, for lighting schemes and to unify more uniform particular spaces with unusual shapes and uneven heights. The practical and aesthetic benefits offered by these solutions are thousands: light and air are evenly distributed while no part of the lighting or the structure remain visible thus permitting the overall use of the space above for other purposes. A harmonizing effect may be created between the various compositional structures in the setting. Thereby imparting an uniform, harmonious atmosphere. The lightness of the materials and the possibility of using small panels set along side each other that do not reveal the load-bearing structure, enable easy, practical maintenance of any located in the space above the false ceiling. The modular nature of the components, the simplification of accessories, the rationalisation of the installation systems, the material itself aluminium, make open cell ceilings an extremely simple and inexpensive system of top quality.

BASE MATERIALS SPECIFICATION

Open cell ceilings are made of pre-painted aluminium. Thanks to the quality of base materials used, which are produced according to norm EN, ASTM and in compliance with ECCA (European Coil Coating Association), the false ceilings feature either the high ease of installation and the reaction fire Class 0 (un-combustible), Euroclass A1. Generally, the aluminium nails are pre-painted: a polyester paint on top side, to achieve decorative purpose in a nominal thickness of 20 microns, a protective paint on back side. The nature of these products allows for use of open cell ceilings in external applications also.

ALUMINIUM AS THE SOLUTIONS OF THE FUTURE FOR A BETTER WORLD

Open cell ceiling systems are made of aluminium washable, corrosionproof, dustproof, longlasting life. The reason of this choice is because aluminium offers many advantages to designers and installers:
Light weight: aluminium weight (one third of the same volume of steel) makes very easy the transport, the mounting and demounting of ceiling, saving the relative costs;
Long-lasting and resistance: being naturally protected by a thin film of oxide highly thick and adherent (alumina Al_2O_3), it results resistant to air and weathering corrosion. It means that without special surface

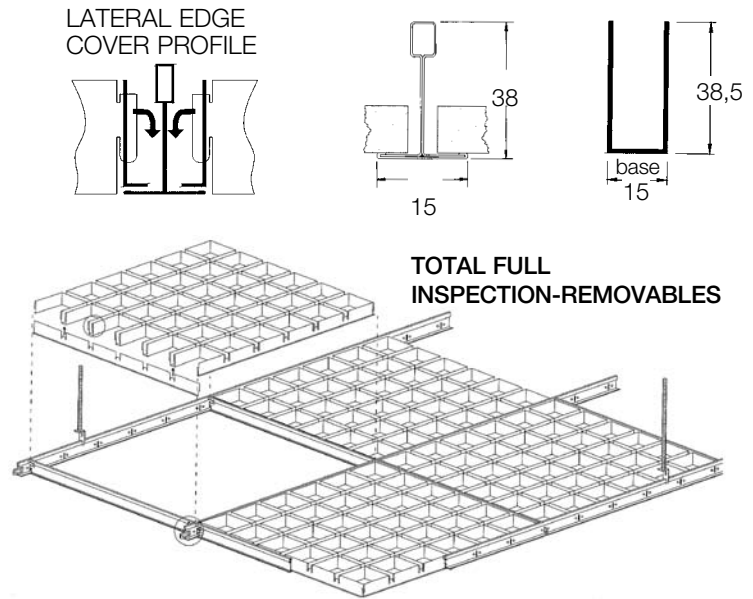
TECHNICAL SPECIFICATION coki-b15 LAY-IN SYSTEM ON "T" 15xH38

Open cell ceilings lay-in system type **METALSCREEN "COKI-B15"** pre-painted aluminium corrosionproof incombustible class "0" - Euroclass fire reaction A1. (colour and mesh cells dimension choosed by the consultant). The open cell **"COKI-B15"** must have "U" shaped section width mm. 15xH38,5 to became a panel mm. 600x600 complete of the lateral edge cover profile in aluminium same colour as the open cell panel. It will be installed lay-in on exposed T bar system **"TWIN LOCK"** mm. 600x600xH38 with the base mm. 15 of the same colour of the cell ceilings to obtain the perfect aesthetical result without any joint or visual interruption. Each panel must be easily removable for inspections. **The peculiarity and particularly is to obtain a lay-in open cell ceiling without differences between the panels and the T bar system that must be of the same module width mm. 15.** To obtain better soundproofing, the "U" shaped blades can be microperforated diameter Ø mm. 2 with acoustic "TNT" non woven sticked on the back.

MESH CELL SIZES mm.
50x50
60x60
75x75
86x86
100x100
120x120
150x150
200x200

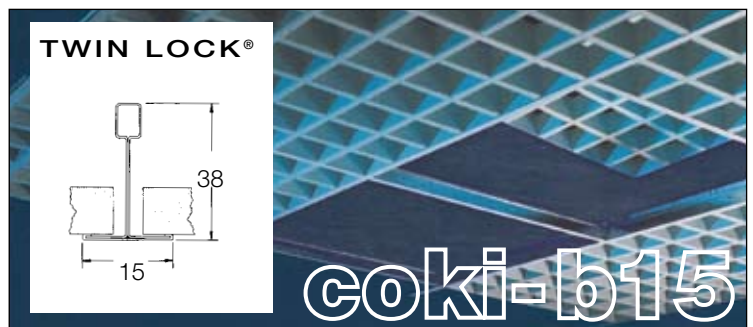
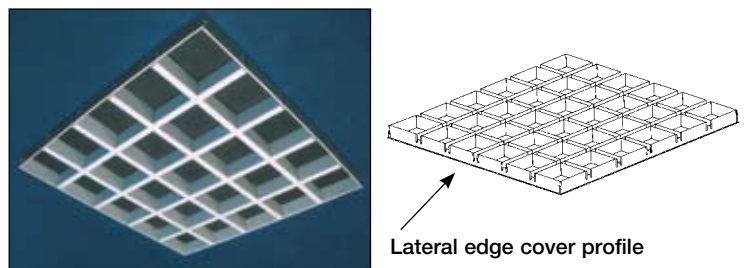
**NUOVO
NEW**

TWIN LOCK® mm. 15xH38



protection, almost all the aluminium alloys do not deteriorate in time, are extremely durable, no requiring any maintenance;
Versatility: the range in terms of chemicals composition and finishes is so wide to meet every functional or aesthetic requirements;
Aesthetic: it is surely one of the most beautiful metal, thanks to its natural colour, its light weight, as confirmed by the wide application of this material in architecture, interior and industrial design. Aluminium is, for itself nature, expression of innovation and design.
Fire reaction: as for fire reaction, it is deemed to be Class 0. It means aluminium does not generate toxic net hazardous products. Besides, in case of fire, the use of open cell ceiling makes large quantities of smoke can be extracted allowing a better visibility and safe way.
Eco-compatibility: aluminium is well-known as the "green" metal, actually it is recycled by 70% and its cost in terms of energy is of one twentieth that of the first melting. This high intrinsic value of aluminium add value to such products ad false ceilings, which make use of this.

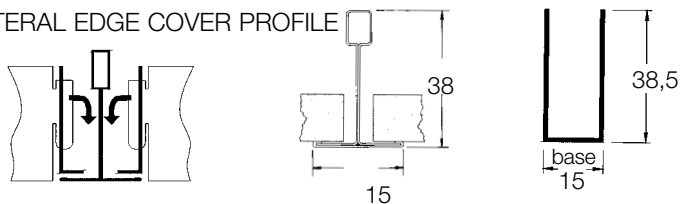
MESH DIMENSIONS coki-b15



..... OPEN CELL CEILINGS SYSTEMS.....

TWIN LOCK® mm. 15xH38

LATERAL EDGE COVER PROFILE



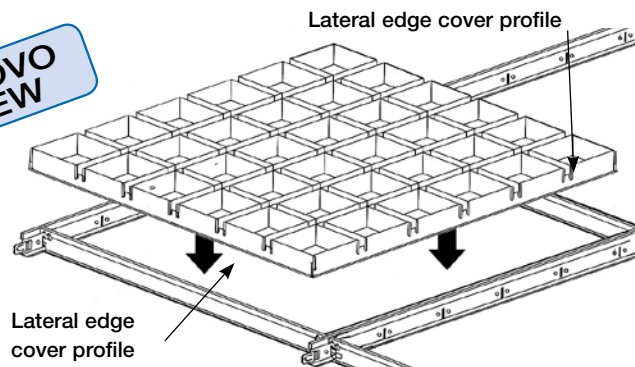
SAFETY SECURITY SAFETY SECURITY

COKI B-15 particularly suggested to shield above the ceilings:

- *Smoke and gas signal devices*
- *Loudspeakers for music or informations*
- *Extinguish sprinklers fire safety*
- *Get in signal bell alarm*
- *Safety and control videocameras*



**NUOVO
NEW**



coki-b15

COKI-B15 the aluminium open cell ceilings inspired in the class wooden grid, made up of "U" shaped profiles with a width of 15 and height of 40:

Specially designed to fit into standard 15 or 24 mm wide t-grids, they provide a trackless appearance of the ceilings.

COKI-B15 are high quality products for easiest placement and removal of the panels.

FEATURES

COKI B-15 feature 600x600 mm. modular panels, made up of "U" shaped profiles with 15 mm. base, wich suitably coupled form a square cell, to be inserted in a frame. **COKI B-15** blades are made by bending system, which gives: the accuracy of profiles, more square edges and blades perfectly straight.

SUPPLY FORM

COKI B-15 are usually supplied unassembled. It allows for easier packages and more economic transports. Upon request, the panels can be also supplied assembled, ready to be installed.

FIRE REACTION

Open cell ceilings are classified incombustible in compliance with international standars. Euroclass A1 - "0" class.

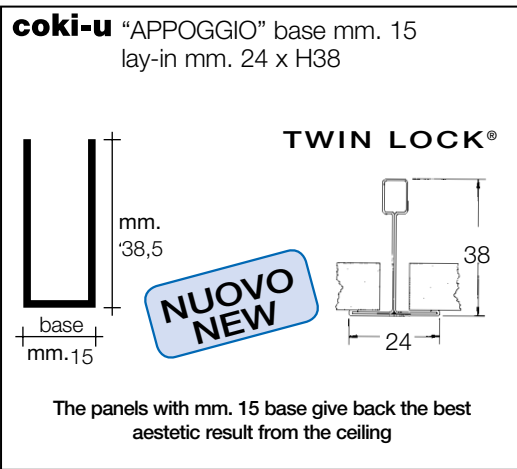
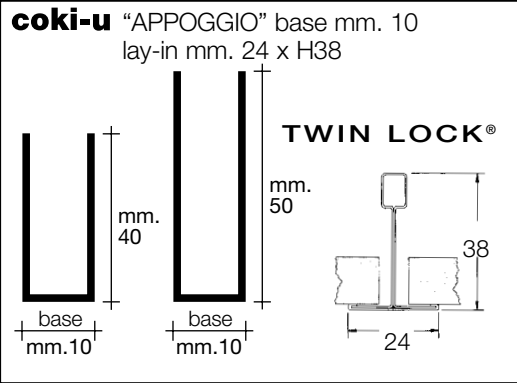
INSTALLATION

The **COKI B-15** are installe in the suspension grids formed by T-profiles, 15 or 24 mm wide, 3600, 1200 and 600 mm. lenght. When the panel is laid into the suspension grid, the structure results full inyegrated in the cell ceiling.

The modular panels 600x600 mm. are easily individually laid into and taken out of the standard T grid, by lifting them upwards for simple access to the plenum.

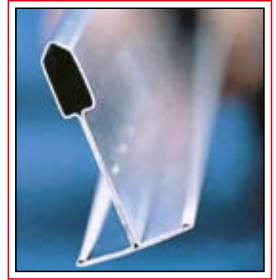


coki-u "APPOGGIO" T 24 MM.

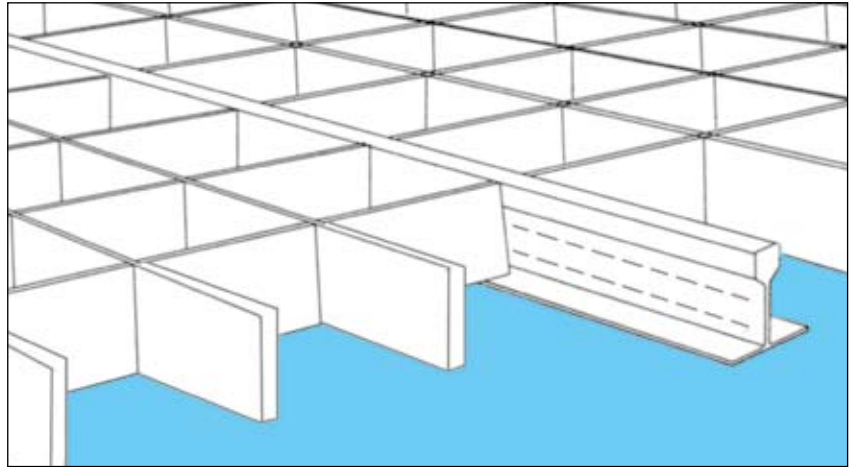


TECHNICAL SPECIFICATIONS:

Open cell ceiling lay-in system type **METALSCREEN coki-u "APPOGGIO T24"** pre-painted aluminium corrosionproof incombustible class "0" - Euroclass fire reaction A1 (colour and mesh cells dimension chosen by the consultant). The open cell ceiling panels must have "U" shaped section base width mm. 10 or mm. 15 and height mm. 40 (the base width dimension chosen by the consultant). The open cell panels mm. 600x600 will be installed lay-in on exposed T bar grid 600x600xH38 system **"TWIN LOCK"** mm. 24xH38 of the same colour as the open cell ceiling. Each panel must be easily removable for inspection.



The modular panels 600x600 mm. are easily individually laid and taken out of the standard T grid, by lifting them upwards for simple access to the plenum.



Total full inspection-each panel removable - Fast installation - Quick maintenance



MESH DIMENSION
coki-u "APPOGGIO T 24"

MESH CELL SIZE mm.	
50x50	
60x60	
75x75	
86x86	
100x100	50x100
120x120	60x120
150x150	75x150
200x200	100x200

..... OPEN CELL CEILING SYSTEMS.....



coki-u "APPOGGIO" T 24 mm. BASE mm. 10 mm. 15 LAY-IN mm. 24xH38

